

 **BRUGMAN**




YEAR WARRANTY
25
★ ★ ★ ★ ★ ★ ★ ★ ★ ★

Showrooms

18 dehavilland Rd
Mordialloc 3195

252-256 Sydney Rd
Balgowlah 2093

 [dpp_hydraulics](https://www.instagram.com/dpp_hydraulics)

info@dpphydraulics.com.au 1300 303 471

COMPACT 4

The elegant, robust decorative grille and the fine side panels give the Compact 4 its characteristic look. The traditional appearance of the Standard radiator, but with a bit more flair all its own. Love the traditional, elegant look of a radiator? Then go for our Compact radiators. Uncomplicated and highly practical. The Compact radiator has four side connections, a decorative grille and side panels. The subtle design eliminates unsafe, sharp edges. As a result, this functional Compact radiator is especially suitable for schools, health care institutions and senior citizens' residences.

- Product:** Panel radiator with four side connections
- Material:** Steel
- Finishing:** Top grille and side panels
- Suspension and accessories:** L-bracket set: blind plug, air vent, lift-out protection, silencers, plugs and bolts (delivered standard)
VDI-compliant in conformity with VDI 6036 (class III) in option
J-bracket set (with the exception of type 11): blind plug, air vent, plugs and bolts (to be ordered separately)
- Connections:** 4 x 1/2" internal thread side connections
- Packaging:** Each radiator is robustly packaged in high-quality cardboard and then shrink-wrapped. A label describes the radiator characteristics: type – height – length.
- Painting process:** All radiators are degreased, phosphated, cathodically primed and powder-coated standard in RAL 9016.
- Colour:** RAL 9016 (other colours can also be delivered on request: see colour chart)
- Heat meters:** Suitable without restrictions for heat meters, both electrical and using the evaporation principle (in accordance with EN834|835).
- Maximum operating pressure:** 10 bar (tested at 13 bar)
- Maximum operating temperature:** 120 °C
- Conformity:** In accordance with EN442-1: 2014: radiators and convectors
- Types:** 11 | 21s | 22 | 33
- Heights:** 300 | 400 | 500 | 600 | 700 | 900 mm
- Lengths:** 400 => 3000 mm
- Depths:** 69 | 73 | 106 | 165 mm

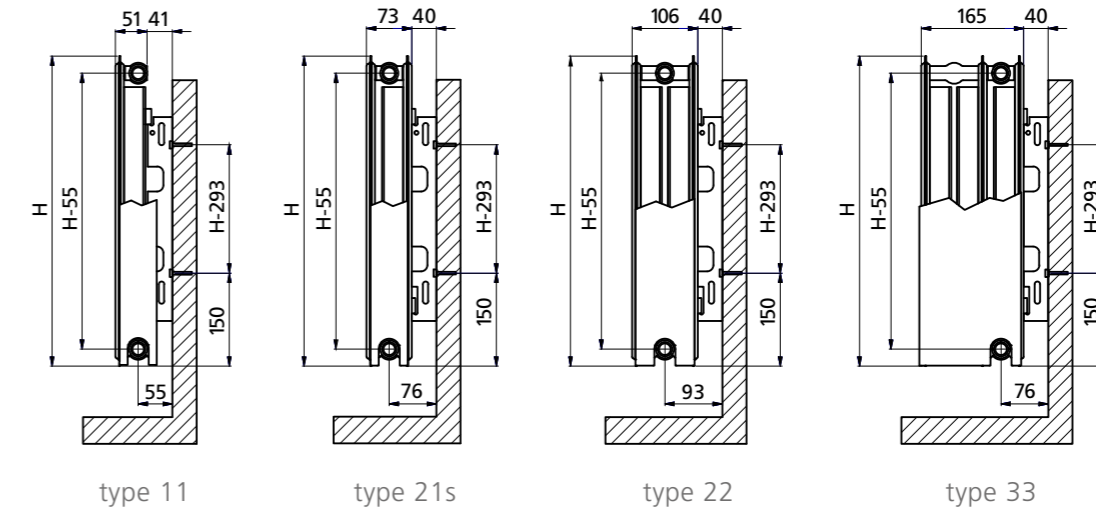


Casual

TECHNICAL DATA PER RUNNING METRE AT 75/65/20°C

Height (mm)		Type 11	Type 21s	Type 22	Type 33
300	W		755	942	1319
	kg		12,83	14,72	21,93
	l		4,30	3,55	5,29
	n		1,31	1,31	1,32
400	W	666	953	1202	1679
	kg	10,66	16,82	19,47	29,04
	l	2,49	4,42	4,47	6,71
	n	1,30	1,31	1,32	1,32
500	W	802	1141	1449	2020
	kg	13,13	20,82	24,21	36,14
	l	2,82	5,33	5,38	8,07
	n	1,30	1,32	1,32	1,32
600	W	934	1322	1683	2345
	kg	15,61	24,81	28,96	43,25
	l	3,18	6,22	6,27	9,39
	n	1,30	1,32	1,33	1,32
700	W	1063	1499	1907	2657
	kg	18,11	28,82	33,73	50,35
	l	3,57	7,09	7,14	10,65
	n	1,30	1,32	1,33	1,33
900	W	1312	1841	2326	3248
	kg	23,03	36,77	43,18	64,52
	l	4,42	8,77	8,84	13,02
	n	1,30	1,33	1,34	1,36

L-BRACKETS



J-BRACKETS

